

## Lyra Green Laser Pointer

**Laserglow Part Number:**  
**GLY005BXX**



### Similar Products:

For information about the other lasers in this product family visit:

<http://www.laserglow.com/GLY>

### Ordering:

Order Online Now or Request Quote:

<http://www.laserglow.com/GLY005BXX>

### Series Specifications:

Nominal Wavelength	532 nm
Output Type	CW
Laser Source Type	DPSS



### Overview:

The Lyra series green laser pointers are a perfect choice for business meetings, classroom presentations and safe home laser experimentation. Five to ten times more visible than common red laser pointers, the Lyra series are ideal for maximizing visibility, even on bright projection screens, while not compromising safety. Available in three carefully selected finishes to match any style. With the look of a high-end fountain pen and the function of a quality timepiece, the Lyra is great to own and even better to give as a gift!

All of Laserglow's green laser pointers are IR-filtered for safety and employ APC technology to maintain constant output power. APC (Automatic Power Control) is a system that uses an optical feedback loop to ensure stable laser output.

### Key Features:

- **Starting at: \$49**
- **Output Power:** 1 mW - 5 mW (model dependent)
- **Wavelength:** 532 nm (green)
- **Key Feature:** High-Quality Build, All AR-coated optics, most models available in 3 finishes
- **Casing:** Solid Brass with pocket clip
- **Package Includes:** Portable laser, batteries, instructions/warranty.
- **Safety Info:** Complies with Class IIIa regulations, contains high-quality IR filter
- **Duty Cycle:** 90 sec. on/20 sec. off

Quality, safety, unique features, and range make Laserglow the leader in green pointers. [Learn more here.](#)

## Specifications:

This spec sheet has been generated specifically for part number GLY005BXX, per your request, and data for the entire series is also displayed for your reference. The specs which are specific to GLY005BXX have been highlighted below in **red + bold**.

Output Power (mW)	<b>&lt;5</b>
Central Wavelength (nm)	<b>531.65</b>
Divergence (mrad, full angle)	<b>&lt;1.2</b>
Beam Dimensions (mm, 1/e <sup>2</sup> )	<b>1.5</b>
Operating Temperature Range (°C)	<b>15 to 35</b>
Total Power Consumption (W)	<b>2</b>
Max. Power Input Duty Cycle	<b>90 sec. on/20 sec. off</b>
Standard Warranty (months)	<b>6</b>
MTTF (operational hours)	<b>5000</b>
Weight of Product or Laser Head (kg)	<b>0.04</b>
Dimensions of Product or Laser Head (mm)	<b>136 (l) x 13 (d)</b>
Power Supply	<b>2 x AAA Batteries</b>

CW: All specifications are based on performance at full output power and after the specified warmup period. Output characteristics may change if the laser is run at a different power level.

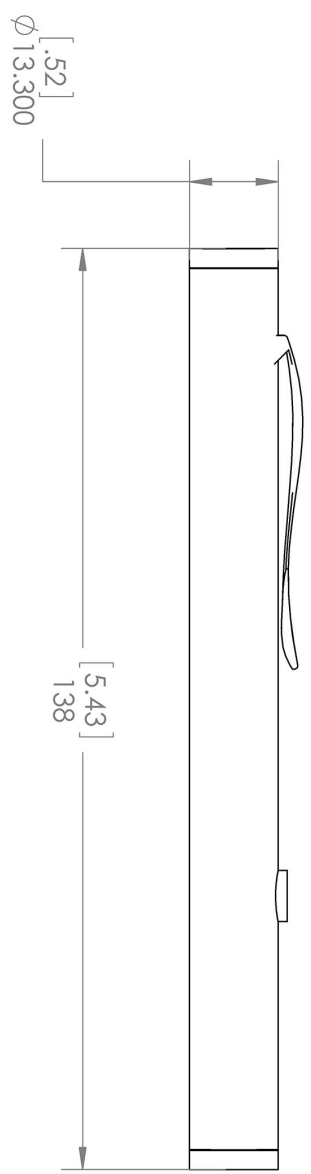
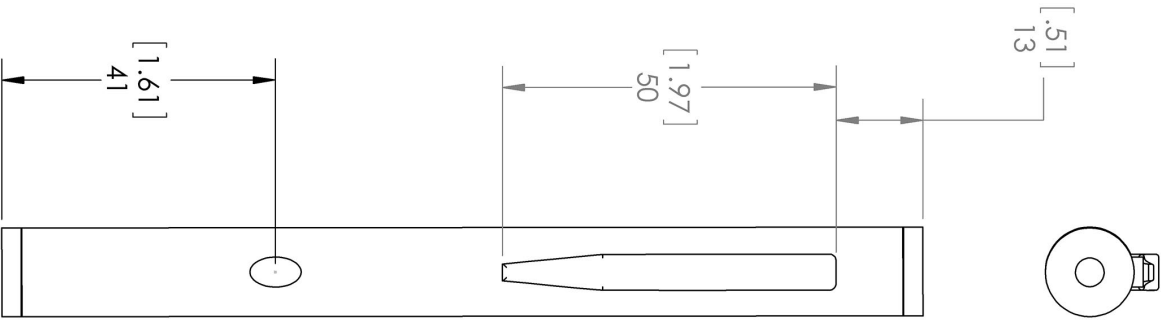
Q-Switched: Specifications are based on the laser pulsing at the specified design frequency. Output characteristics may change if the laser is run at a different frequency.

## Regulatory Classification:

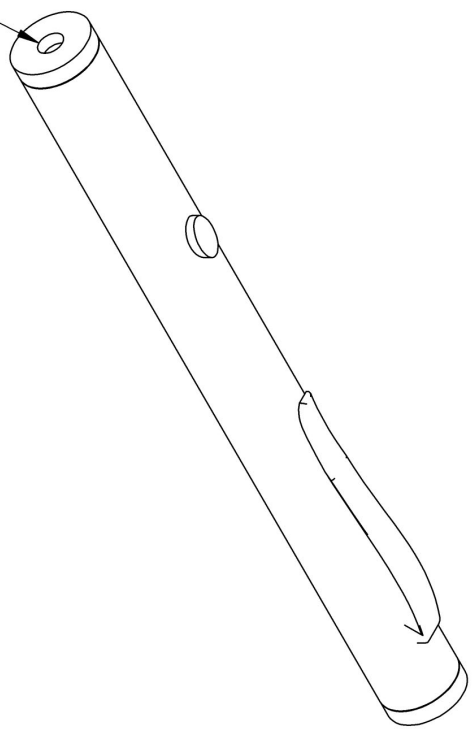
The model you have selected (GLY005BXX) requires the following safety label(s):



**Dimensional Drawing - Laser Form Factor: GLY:**



Aperture



UNLESS OTHERWISE SPECIFIED:  
 DIMENSIONS ARE IN MM(INCH)  
 TOLERANCES: +/- 0.75 MM

THE INFORMATION CONTAINED IN THIS DRAWING IS THE SOLE PROPERTY OF LASERGLOW TECHNOLOGIES. ANY REPRODUCTION IN PART OR AS A WHOLE WITHOUT THE WRITTEN PERMISSION OF LASERGLOW TECHNOLOGIES IS PROHIBITED. © 2012 LASERGLOW.COM LIMITED. ALL RIGHTS RESERVED

TITLE: <b>Lyra / Precious Metal Series</b> REV 1	
SCALE: 1:1	SHEET 1 OF 1

**Accessories:**

The most popular accessories for model GLY005BXX are shown below. For additional details regarding these or other accessories please see our website or contact us directly.

Part Number	Description	
-------------	-------------	--

**FOR MORE INFORMATION PLEASE CONTACT:**

LASERGLOW TECHNOLOGIES  
99 Ingram Dr. Unit B, North York, ON, Canada M6M2L7  
Tel. (416) 729-7976 Fax (716) 322-3510  
[sales@laserglow.com](mailto:sales@laserglow.com) [www.laserglow.com](http://www.laserglow.com)

E&OE: Data included in this sheet may be subject to change without notice.

Please confirm critical specifications with our staff prior to ordering.